



SPORT-TRANSFER sp. z o.o.
Jawornik 564
32-400 Myślenice
Tel. +48 12 649 14 83
e-mail: biuro@sport-transfer.com.pl

INSTRUCTIONS FOR ASSEMBLY AND USE OF SPORTS EQUIPMENT

Product: **FIXING STRUCTURE /DOUBLE/**
Code: 10 051

The double basketball structure meets the requirements of EN 913:2019-3 and EN 1270:2006 "Pitch equipment – Basketball equipment. Functional and Safety Requirements, Research Methods."

1. Product description

10 051 – TYPE 6

Design for outdoor facilities. Made of steel profiles, protected from the weather by hot-dip galvanisation. Sleeves for securing the structure in the ground included /2 pieces/. Designed for a 105x180 cm backboard. Extension arms L=2.20 m, L=1.60 m.

2. Purpose

The basketball structure is used for fixing a 105x180 basketball backboard in outdoor facilities.

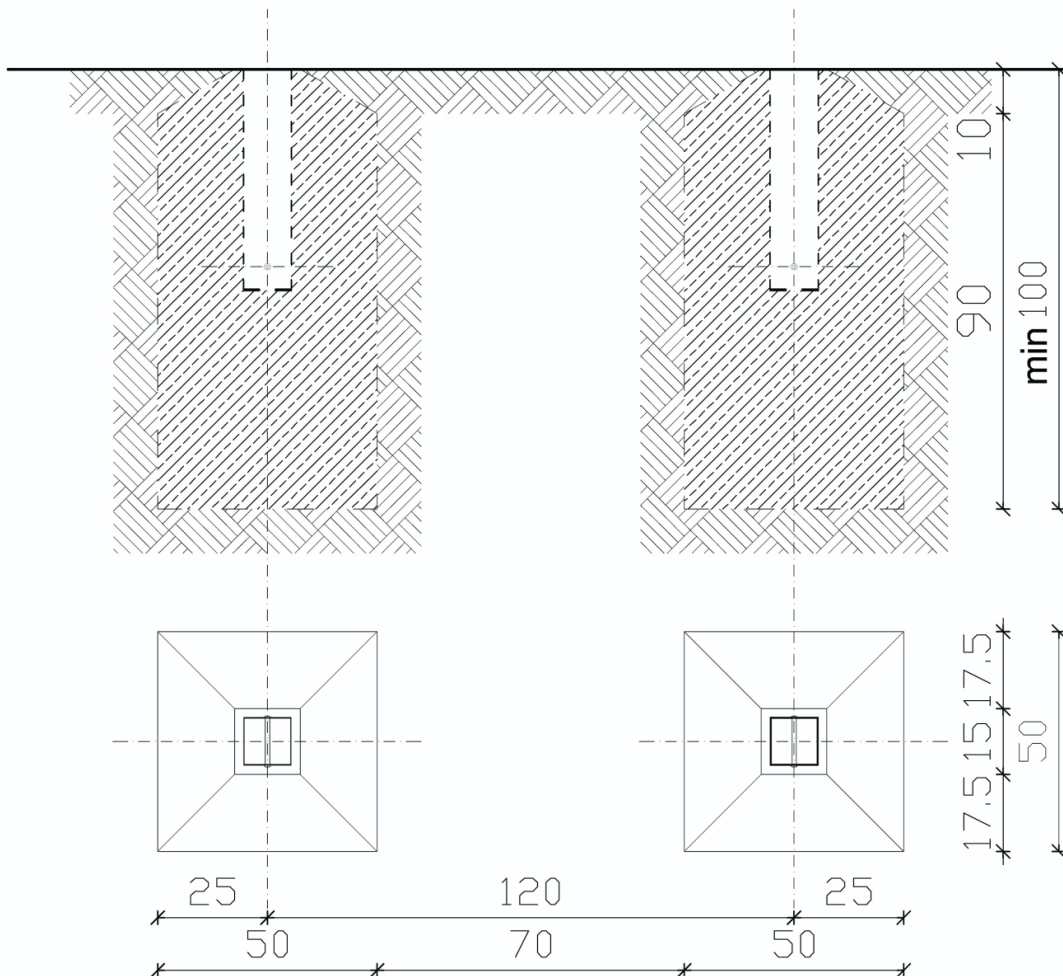
3. Components

Number	Name of part / component	Quantity per product
1	Stand pole	2
2	Stand extension arm	2
3	Extension arm connector (crossbar)	1
4	Epoxy backboard with metal frame 105x180 cm – NOT INCLUDED	1
5	Galvanised hoop with a chain net – NOT INCLUDED	1
6	Steel sleeve	2

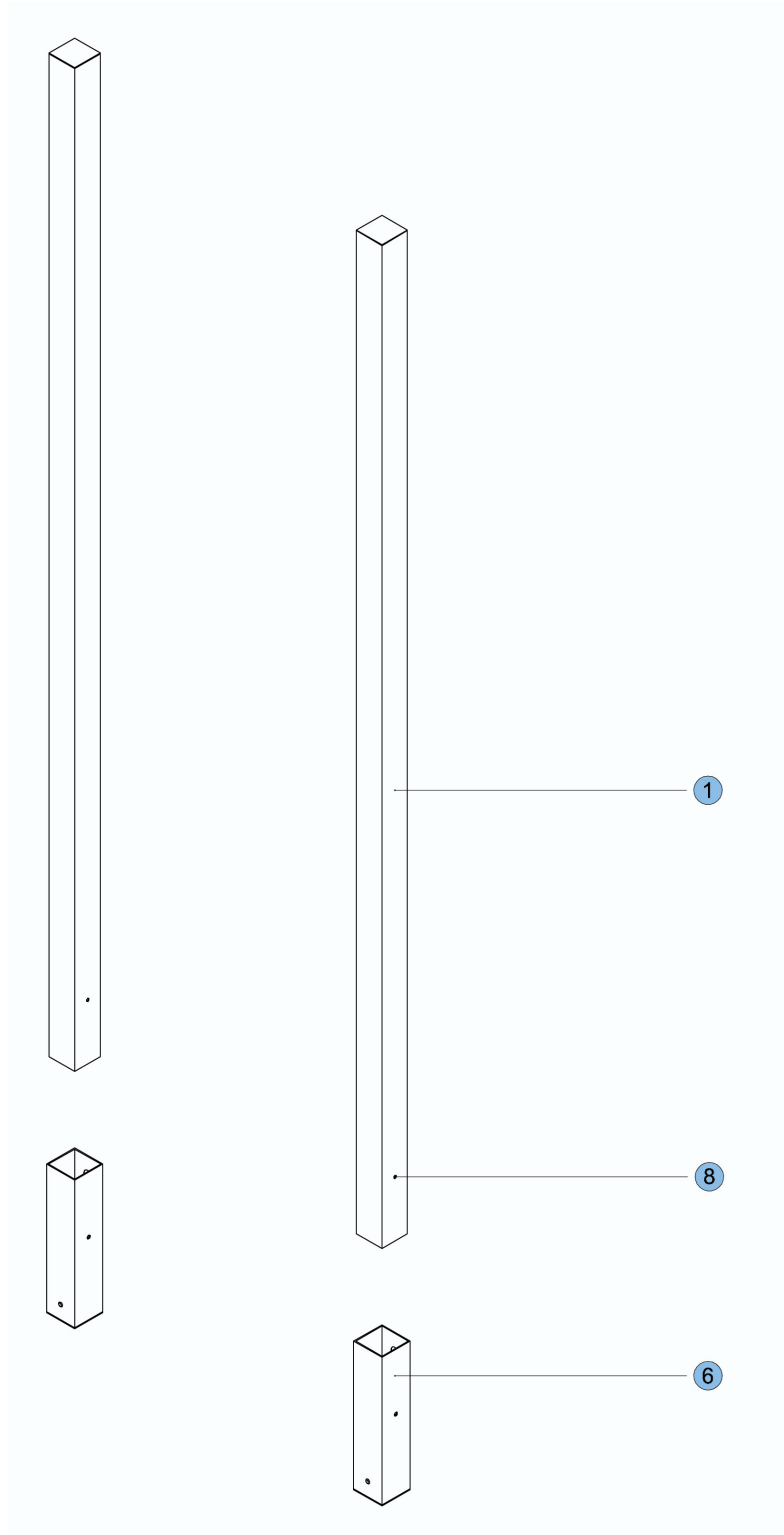
7	Locking mechanism	2
8	M12x45 screw – locking mechanism clamp	2
9	M10x80 screw	4
10	M10x70 screw	4
11	M10 nut	12
12	M10x65 screw	4
13	Washer 10	8
14	M12x50 screw	4
15	M12 nut	4

4. Basketball set assembly

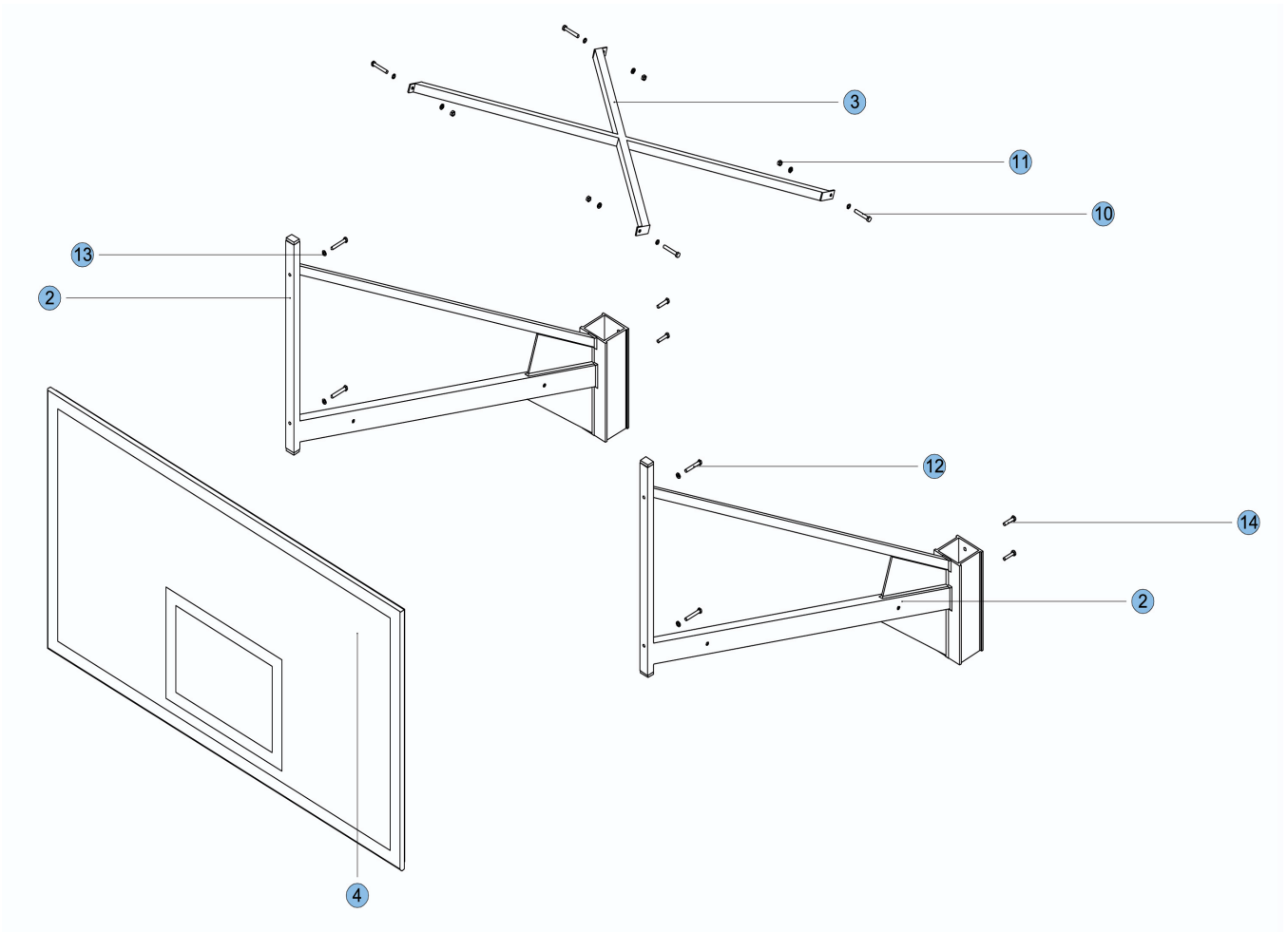
- Make a foundation in the ground for each sleeve (6) in axial spacing of 1200 mm.
- The top edges of the sleeves are to coincide with the pitch level.
- The recommended foundation size for both sleeves is min. 500x500 mm, min. 1000 mm depth considering the local ground frost zone, with concrete grade C20/25.
- The final size of the foundation and the class of concrete used should depend on the load requirement: **the action of a horizontal force of $P=2000N$ applied to the structure in the sleeve at the height of 3050mm should not cause loosening of the sleeve fixing or the entire foundation.**
- Stands in sleeves can be installed and operated after the concrete has initially set (min. 7 days).

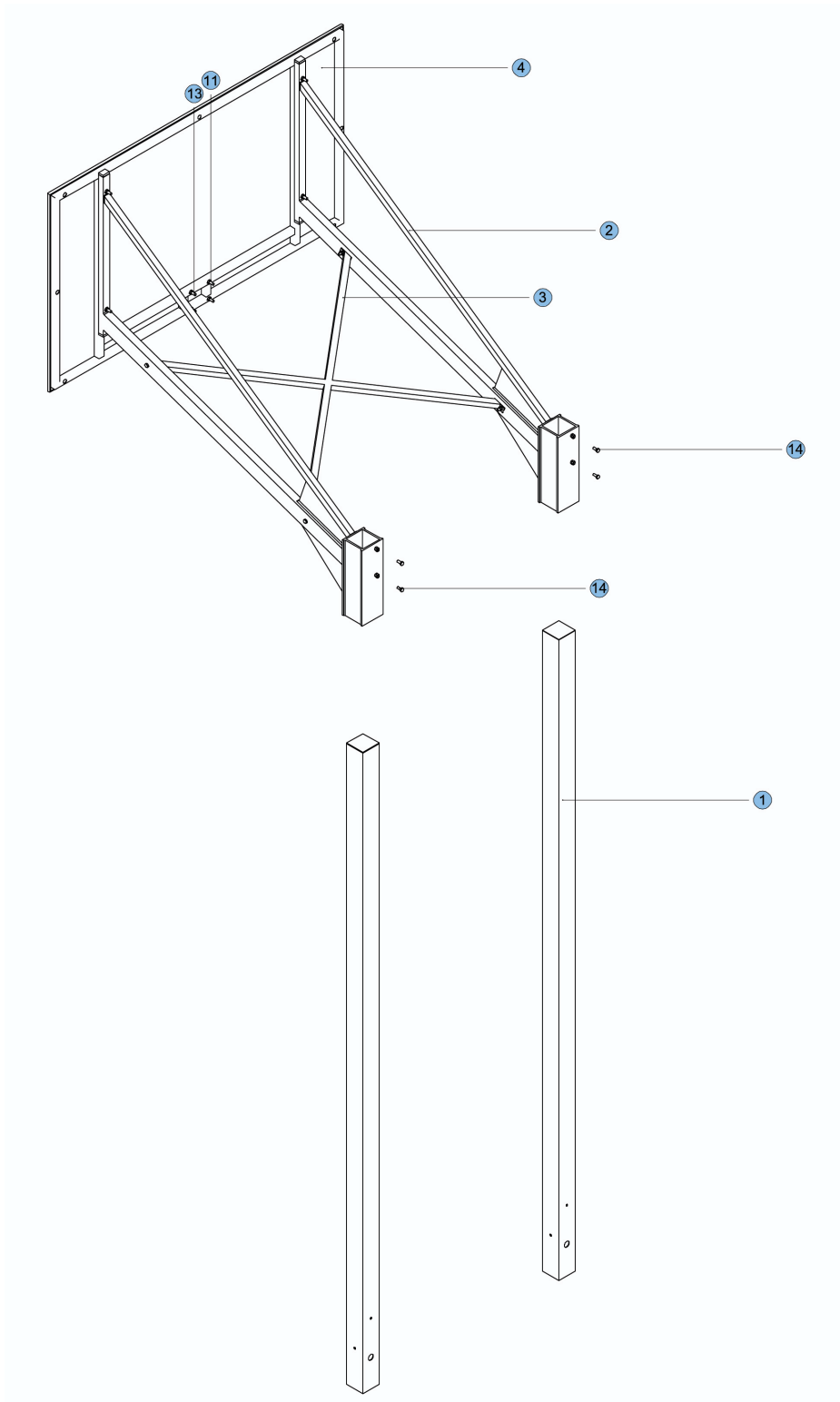


- f) Slide the stand posts (1) into the concreted sleeves (6), tighten the M12x45 screws (8) into the locking mechanism and stabilise the stand posts in the sleeves

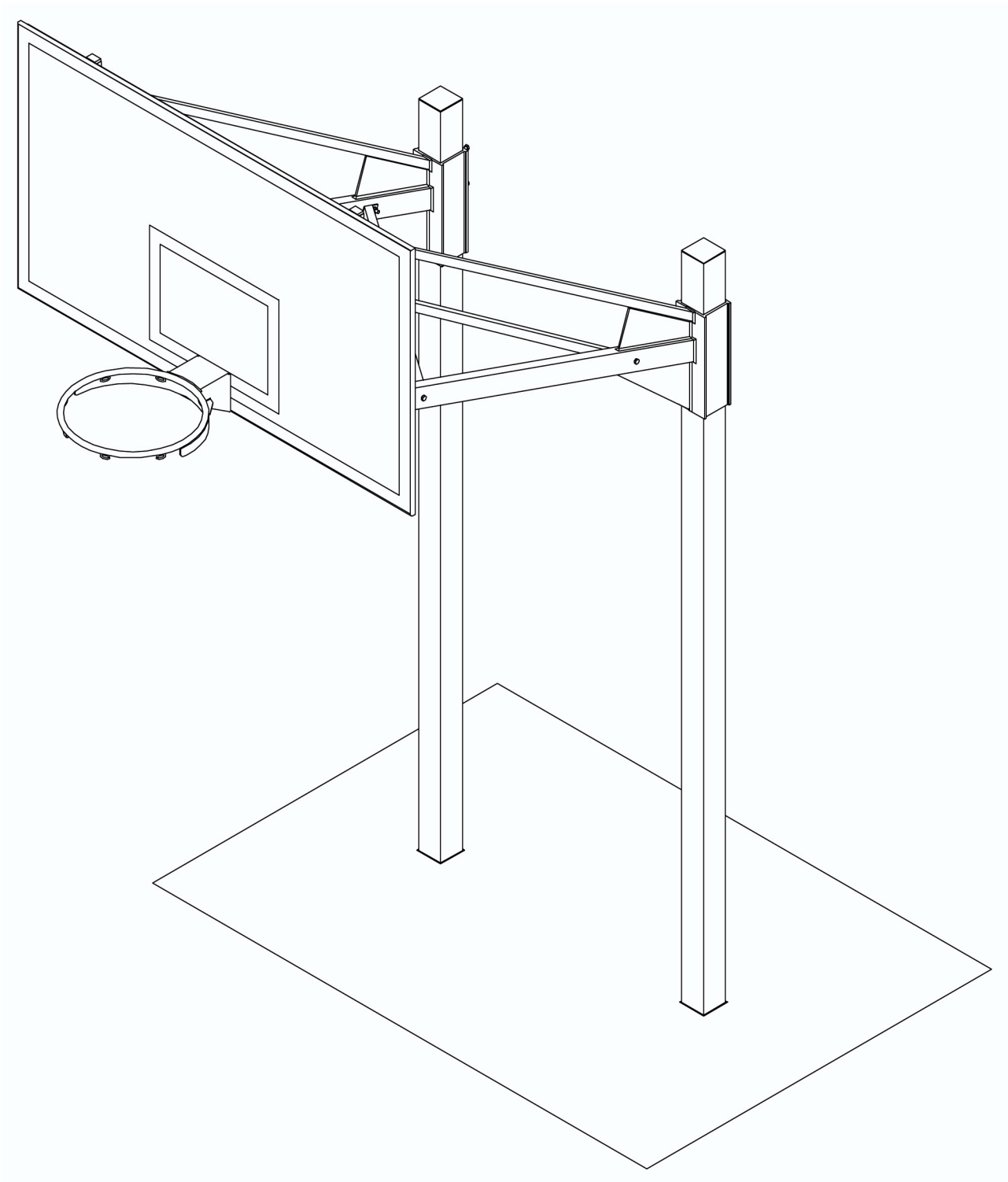


- g) Slide the extension arms (2) onto the posts (1).
- h) Screw the connector – crossbar (3) to the stand's extension arms (2) using M10x70 screws (10), washers 10 (13) and M10 nuts (11).
- i) Mount the backboards (4) on the extension arms using M10x65 screws (12), washers 10 (13) and M10 nuts (11).
- j) After that, position the entire structure at the desired height and lock it to the posts using M12x50 screws (14) and secure with M12 nuts (15).
- k) Screw the rim (5) with the chain net to the backboard using M10x70 screws (10) and M10 nuts (11).





Note: installation may only be carried out by adults authorised to work at heights using a scaffold.



5. Use of the set

- a) The set is designed for playing basketball on outdoor courts.
- b) The fastening of all individual components must be checked before use and then periodically (max. every 3 months).

- c) The height of the backboard is adjusted by loosening the M12 nuts (15) and M12x50 screws (14), moving the backboard using the extension arms on the posts to the desired height and re-tightening the screws and locking the nuts.

6. Transport, storage, maintenance, disposal

- a) Basketball structures are supplied by the manufacturer on a pallet with the weight depending on the structure's extension arm.
- b) The product is intended for permanent installation – not for storage.
- c) To be wiped down with a cloth dampened with a mild cleaning agent by persons with the appropriate qualifications for working at heights.
- d) Depending on local requirements, the product may be intended for recycling or energy recovery after use.
- e) The product and its accessories must be properly disposed of at an appropriate local waste disposal/recycling facility.
- f) Correct disposal will help to prevent potential negative consequences for the environment and human health and promote the recycling of materials and resources.

7. Warranty

- a) Outdoor basketball structures are covered with the producer's 24-month warranty.
- b) The warranty does not cover damage caused by improper use e.g. cutting, slashing, burning, etc.
- c) The warranty does not cover any misuse of the basketball structure.

Note:

Adjustment may only be carried out by adults (minimum 2 persons) who are authorised to work at heights, carrying out this activity from a scaffolding.

Do not climb or hang onto any part of the set.

Do not unscrew the locking mechanism during operation.