



SPORT-TRANSFER sp. z o.o.  
Jawornik 564  
32-400 Myślenice  
Tel. +48 12 649 14 83  
e-mail: biuro@sport-transfer.com.pl

## INSTRUCTIONS FOR ASSEMBLY AND USE OF SPORTS EQUIPMENT

Product: **FIXING STRUCTURE /SINGLE/**

Code: 10 052

The single basketball structure meets the requirements of EN 913:2019-3 and EN 1270:2006 "Pitch equipment – Basketball equipment. Functional and Safety Requirements, Research Methods."

### 1. Product description

#### 10 052 – TYPE 6

Design for outdoor facilities. Made of steel profiles, protected from the weather by hot-dip galvanisation. A sleeve for securing the structure in the ground /1 pc included. Designed for a 90x120 cm backboard. Extension arms L=1.60 m, L=1.40 m, L=1.20 m.

### 2. Purpose

The basketball structure is used for fixing a 90x120 basketball backboard in outdoor facilities.

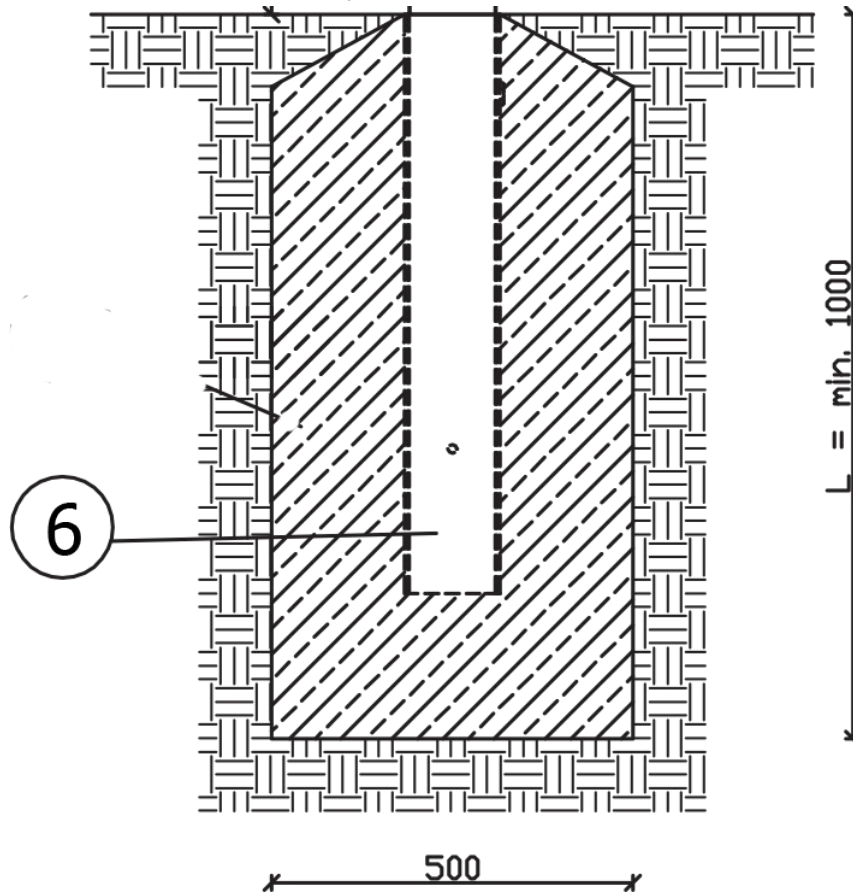
### 3. Components

Number	Name of part / component	Quantity per product
1	Stand pole	1
2	Stand extension arm	1
3	Strut	1
4	Epoxy backboard with metal frame 90x120 cm – NOT INCLUDED	1
5	Galvanised hoop with a chain net – NOT INCLUDED	1
6	Steel sleeve	1
7	Locking mechanism	1

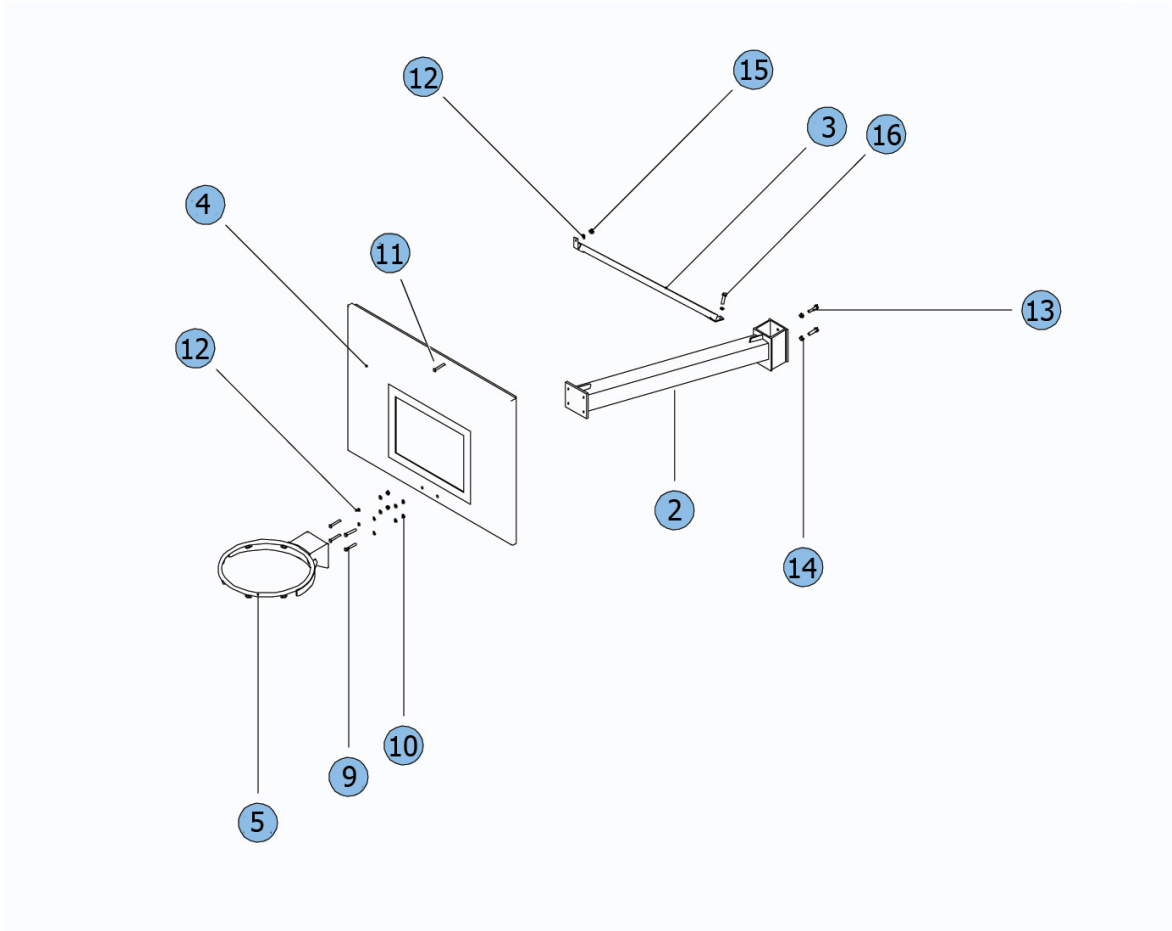
8	M12x45 screw – locking mechanism clamp	1
9	M10x70 screw	4
10	M10 nut – self-locking	4
11	M8x20 screw – truss carriage bolt	1
12	Washer 8	3
13	M12x50 screw	2
14	M12 nut	2
15	M8 nut – self-locking	3
16	M10x20 screw	1

#### 4. Basketball set assembly

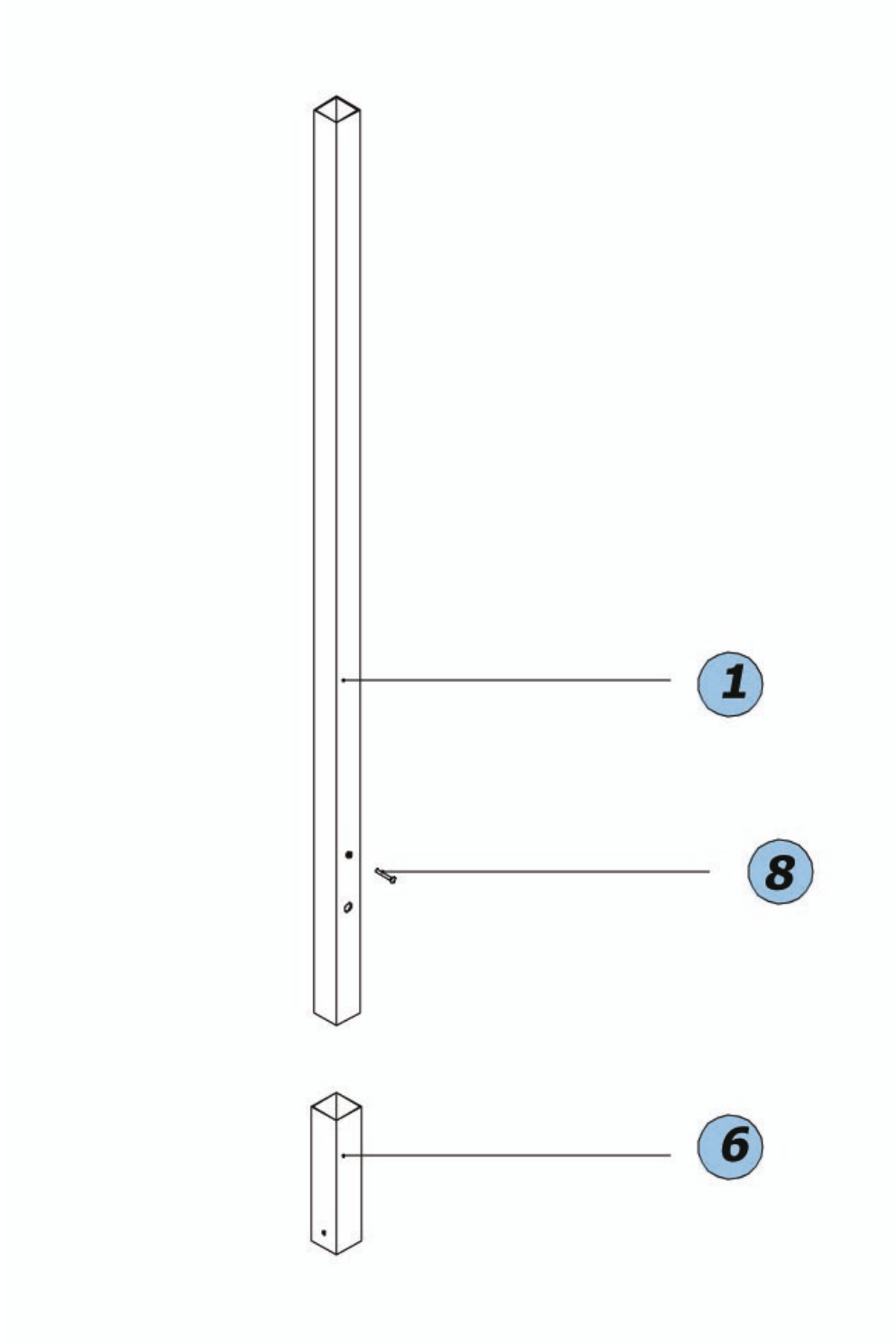
- Make a foundation in the ground and embed the sleeves (6).
- The top edge of the sleeve is to coincide with the level of the court.
- The recommended foundation size is min. 500x500 mm, min. 1000 mm depth considering the local ground frost zone, with concrete grade C20/25.
- The stand in the sleeve can be installed and operated after the concrete has dried /min. 7 days/.



- Mount the backboard (4) and the chain net hoop (5) on the extension arm (2) using M10x70 screws (9) and M10 nuts (10).
- Bolt the strut (3) to the backboard with a M8x20(11) screw and to the extension arm with a M10x20 (16) screw with washers 8 (12).

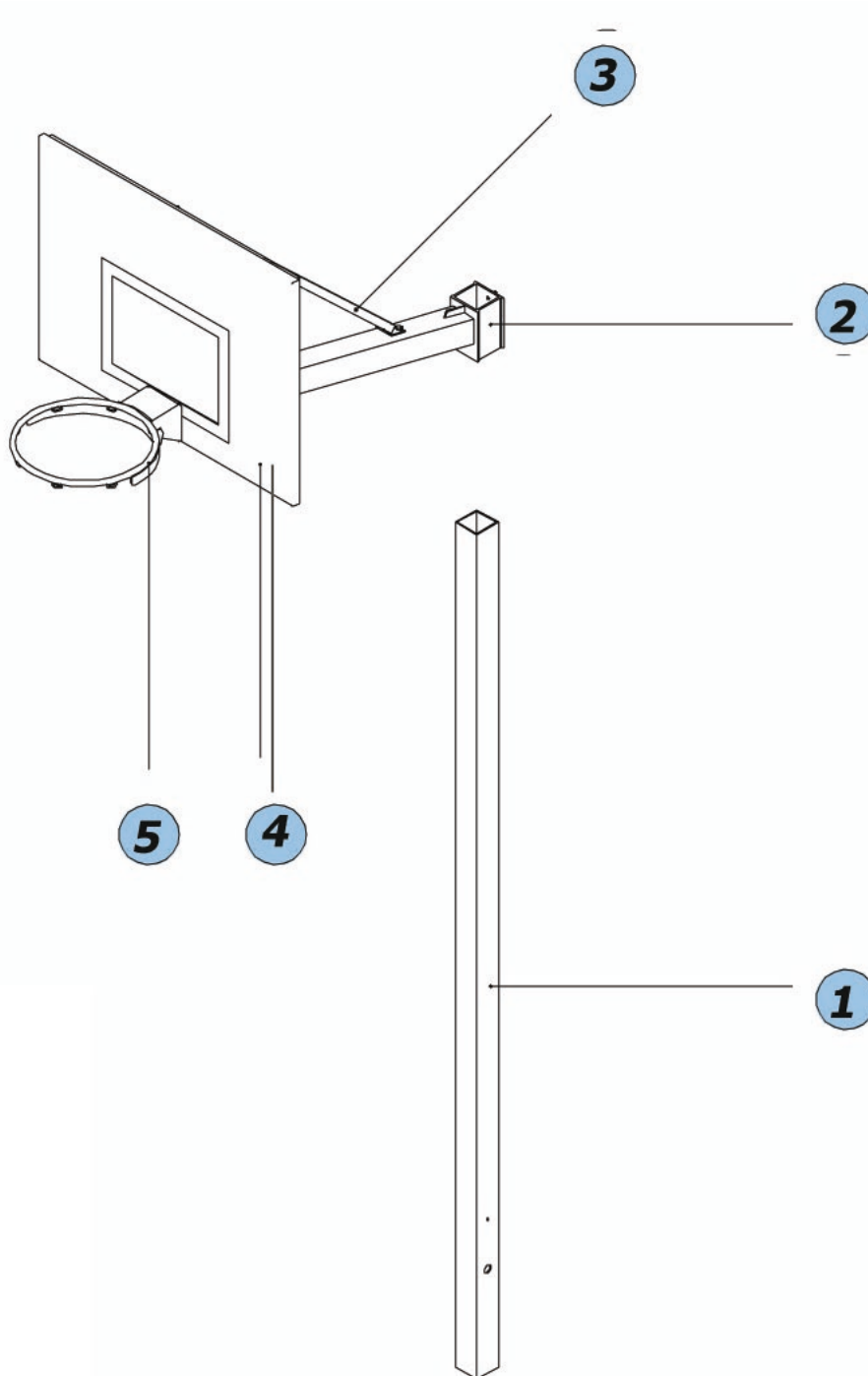


g) Slide the stand post (1) into the concreted sleeve and, by tightening the M12x45 screw (8) with the locking mechanism (7), stabilise the post in the sleeve.



- h) Slide the extension arm (2) onto the post, set at the desired height and lock onto the post using M12x50 screws (13) and counterbalance with M12 nuts (14).
- i) Mount the backboard (4) and the chain net hoop (5) on the extension arm (2) using M10x70 screws (9) and M10 nuts (10).

- j) Bolt the strut (3) to the backboard with a M8x20(11) screw and to the extension arm with a M10x20 (16) screw with washers 8 (12).
- k) Adjust the position of the strut so that the backboard is vertical.



Note: installation may only be carried out by adults authorised to work at heights using a scaffold.

## 5. Use of the set

- a) The set is designed for playing basketball on outdoor courts.
- b) Check the fixings of all individual components of the set prior to its use and then periodically (max. every 3 months).
- c) The height of the backboard is adjusted by loosening the nuts (14) and M12x50 screws (13), moving the backboard with the extension arm on the post to the desired height. then tightening the screws again and locking with the nuts.

## 6. Transport, storage, maintenance, disposal

- a) Basketball structures are supplied by the manufacturer on a pallet with the weight depending on the structure's extension arm.
- b) The product is intended for permanent installation – not for storage.
- c) To be wiped down with a cloth dampened with a mild cleaning agent by persons with the appropriate qualifications for working at heights.
- d) Depending on local requirements, the product may be intended for recycling or energy recovery after use.
- e) The product and its accessories must be properly disposed of at an appropriate local waste disposal/recycling facility.
- f) Correct disposal will help to prevent potential negative consequences for the environment and human health and promote the recycling of materials and resources.

## 7. Warranty

- a) Outdoor basketball structures are covered with the producer's 24-month warranty.
- b) The warranty does not cover damage caused by improper use e.g. cutting, slashing, burning, etc.
- c) The warranty does not cover any misuse of the basketball structure.

### Note:

**Adjustment may only be carried out by adults (minimum 2 persons) who are authorised to work at heights, carrying out this activity from a scaffolding.**

**Do not climb or hang onto any part of the set.**

**Do not unscrew the locking mechanism during operation.**

