



SPORT TRANSFER
sports equipment

SPORT-TRANSFER sp. z o.o.
Jawornik 564
32-400 Myślenice
Tel. +48 12 649 14 83
e-mail: biuro@sport-transfer.com.pl

INSTRUCTIONS FOR ASSEMBLY AND USE OF SPORTS EQUIPMENT

Product: **FOLDABLE BASKETBALL STRUCTURE**

Code: 10 019 and 10 025.

The folding basketball structure complies with the requirements of EN 913:2019-3 and EN 1270:2006 "Pitch equipment – Basketball equipment. Functional and Safety Requirements, Research Methods."

1. Product description

10 019 – TYPE 3

Made of steel profiles, powder-coated, fixed to the walls or pillars of the facility. It allows the basketball backboard to be folded parallel to the wall by manually pulling back the locking mechanism using a special handle. Suitable for fixing all types of backboards at distances to the wall from 100 cm to 180 cm.

10 025 – TYPE .

Made of steel profiles, powder-coated, fixed to the walls or pillars of the facility. It allows the basketball backboard to be folded parallel to the wall by manually pulling back the locking mechanism using a special handle. Designed for fixing all types of backboards with a distance from the front of the board to the wall of between 190 cm and 250 cm.

2. Purpose

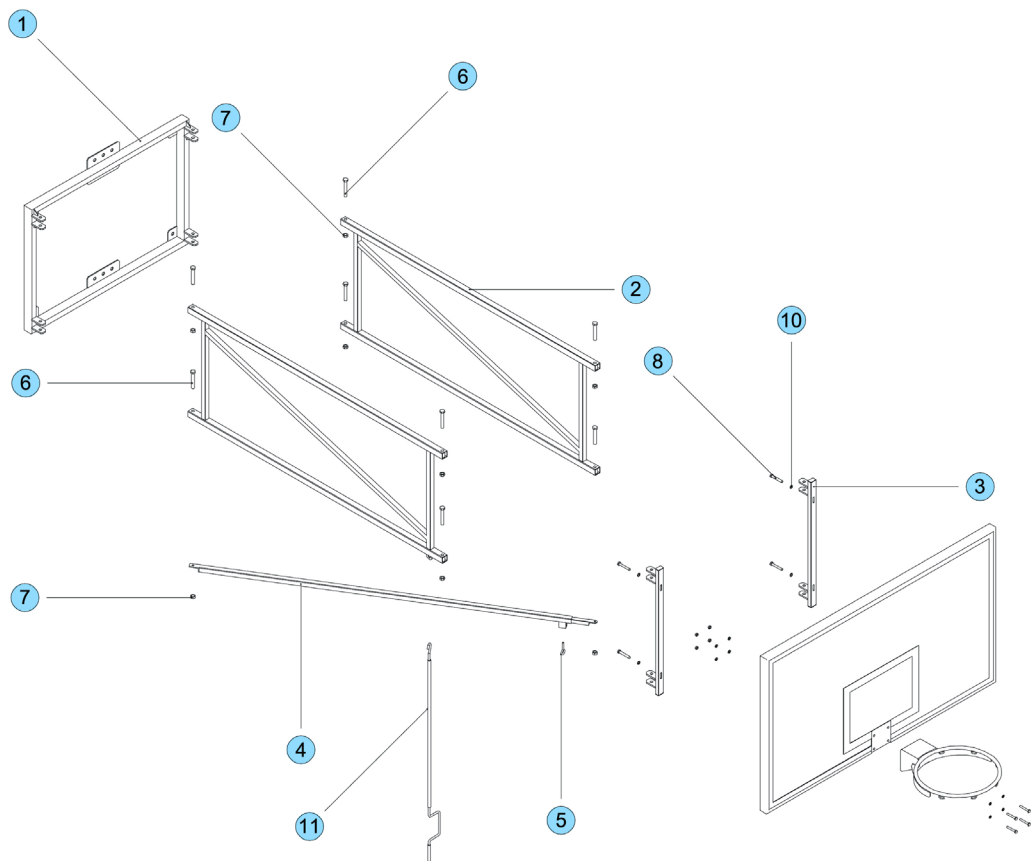
The basketball structure is used to fix different types of basketball backboards to walls or pillars in sports halls.

3. Components

Number	Name of part / component	Quantity per product
1	Structure frame	1
2	Arms of the structure	2
3	Backboard retaining bar	2
4	Diagonal of the structure	1
5	Diagonal locking	1
6	M12x80 screw	8
7	Self-locking nut M12	8
8	M10x45 screw	4
9	Self-locking nut M10	4
10	M10 extension washer	8
11	Pulling handle	2

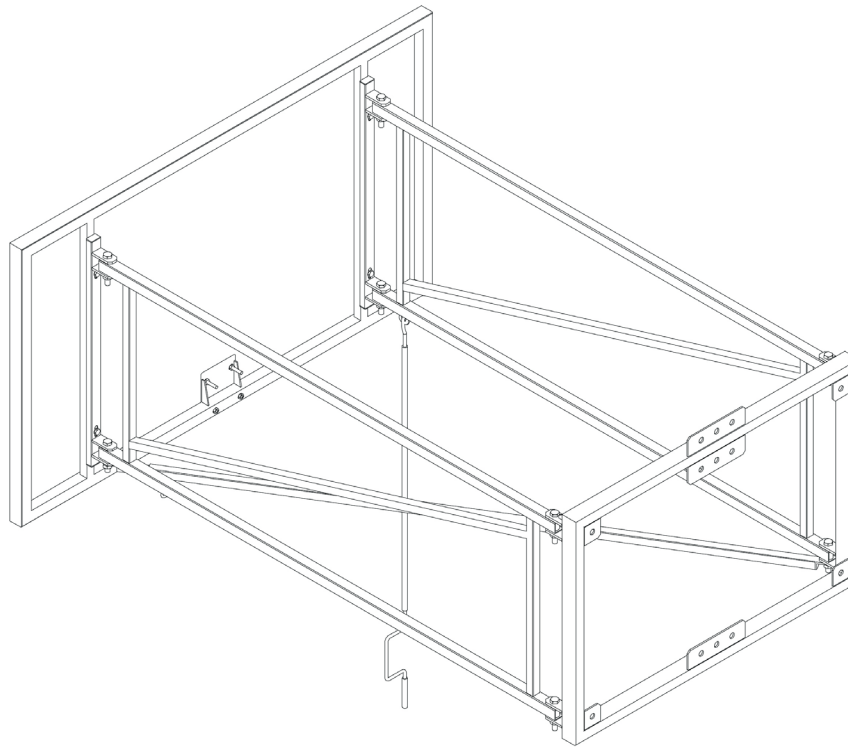
4. Basketball structure installation

- a) Fix the frame of the structure (1) at the appropriate height of the wall in the sports hall at 13 fixing points (the number of fixings may depend on the type of wall).
- b) It is recommended to choose appropriate elements fixing the structure to the wall depending on the wall construction.
- c) The action of a horizontal force of $F=900$ N or a vertical force of $F=3200$ N on the installed frame should not cause the loosening of frame fixings in the wall.
- d) Connect the arms (2) to the frame (1) using M12x80 screws (6) and M12 self-locking nuts (7).
- e) Secure the bars holding the backboard to the structure (3) to the arms (2) with M12x80 screws (6) and M12 self-locking nuts (7).
- f) Fix the diagonal (4) at the bottom of the arms (2) (as shown) using M12x80 screws (6) and M12 self-locking nuts (7).
- g) Fix the backboard to the bars (3) using M10x45 screws (8), M10 washers (10) and M10 self-locking nuts (9).
- h) Position the structure so that the arms (2) are perpendicular to the structure frame (1).
- i) In the diagonal (4) in the locking place (5), make a ϕ 8mm hole for the diagonal locking, repeat the same operation after mounting the structure on the wall.
- j) Fit the diagonal lock (5).



5. Folding and unfolding the structure

- a) Fit the first pulling handle (11) onto the diagonal lock eye (5) and unlock the mechanism.
- b) Place the second pulling handle on the eye on the other arm of the structure (2) and fold the structure towards the wall in a uniform motion.
- c) Follow the same procedure when unfolding the structure.



Note: installation may only be carried out by adults authorised to work at heights using a scaffold.

Note:

Do not fold or unfold the structure by pulling the locking eye (5)

6. Use of the set

- a) The structure is designed for basketball only and may not be used for other purposes.
- b) The fastenings of all individual components must be checked before use and then periodically (max. every 3 months).

7. Transport, storage, maintenance, disposal

- a) Foldable basketball structures are supplied by the manufacturer on a pallet whose weight depends on the length of the structure.
- b) The product is intended for permanent installation – not for storage.
- c) To be wiped down with a cloth dampened with a mild cleaning agent by persons with the appropriate qualifications for working at heights.
- d) Depending on local requirements, the product may be intended for recycling or energy recovery after use.
- e) The product and its accessories must be properly disposed of at an appropriate local waste disposal/recycling facility.
- f) Correct disposal will help to prevent potential negative consequences for the environment and human health and promote the recycling of materials and resources.

8. Warranty

- a) Foldable basketball structures come with a 24-month manufacturer's guarantee.
- b) The warranty does not cover damage caused by improper use e.g. cutting, slashing, burning, etc.
- c) The warranty does not cover any misuse of the basketball structure.

NOTE:

Do not climb or hang on to any parts of the structure.