



SPORT-TRANSFER sp. z o.o.
Jawornik 564
32-400 Myślenice
Tel. +48 12 649 14 83
e-mail: biuro@sport-transfer.com.pl

INSTRUCTIONS FOR ASSEMBLY AND USE OF SPORTS EQUIPMENT

Product: **FIXING STRUCTURE /SINGLE/**
Code: 10 050

The single basketball structure meets the requirements of EN 913:2019-3 and EN 1270:2006 "Pitch equipment – Basketball equipment. Functional and Safety Requirements, Research Methods."

1. Product description

10 050 – TYPE 6

Design for outdoor facilities. Made of steel profiles, protected from the weather by hot-dip galvanisation. Sleeve included to secure the structure in the ground /1 pc. Designed for a 105x180 cm backboard. Extension arms L=1.60 m, L=1.40 m, L=1.20 m.

2. Purpose

The basketball structure is used for fixing a 105x180 basketball backboard in outdoor facilities.

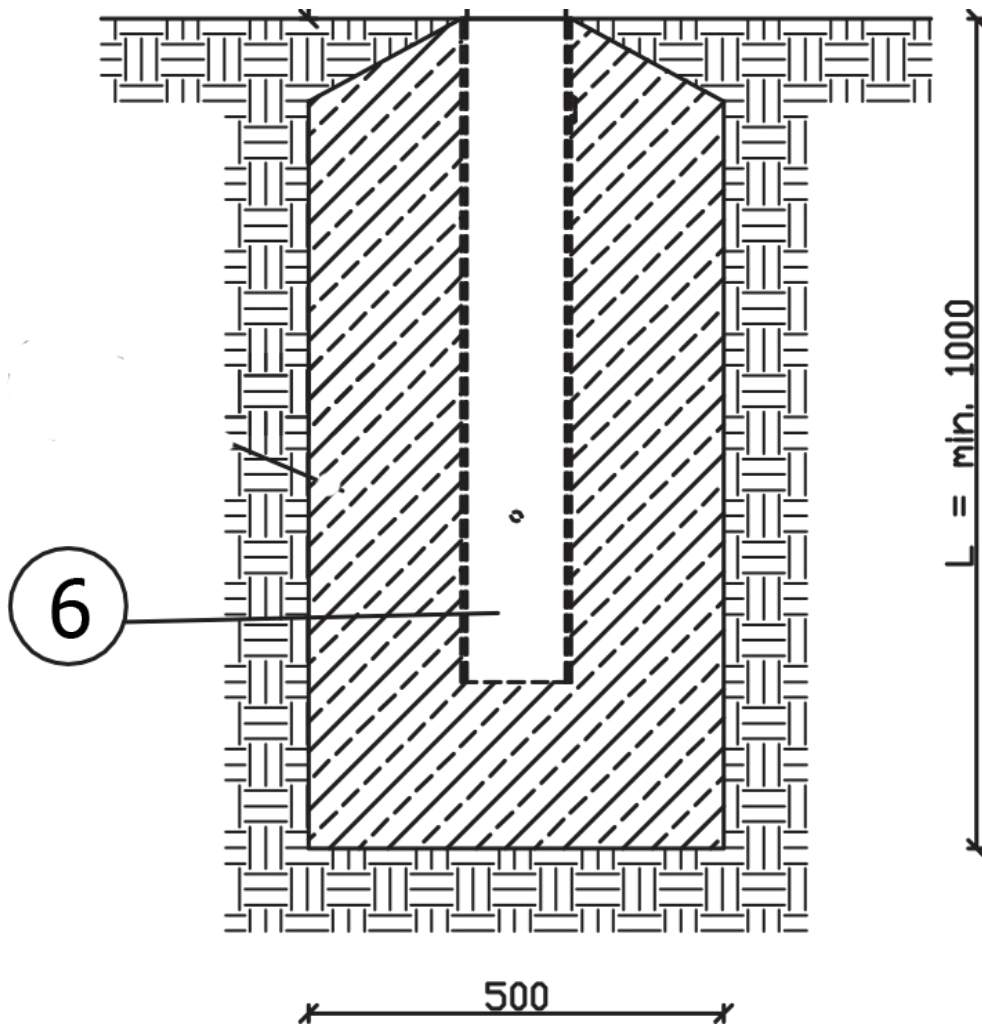
3. Components

Number	Name of part / component	Quantity per product
1	Stand pole	1
2	Stand extension arm	1
3	Strut	2
4	Epoxy board 105x180 – NOT INCLUDED	1
5	Galvanised hoop with a chain net – NOT INCLUDED	1
6	Steel sleeve	1

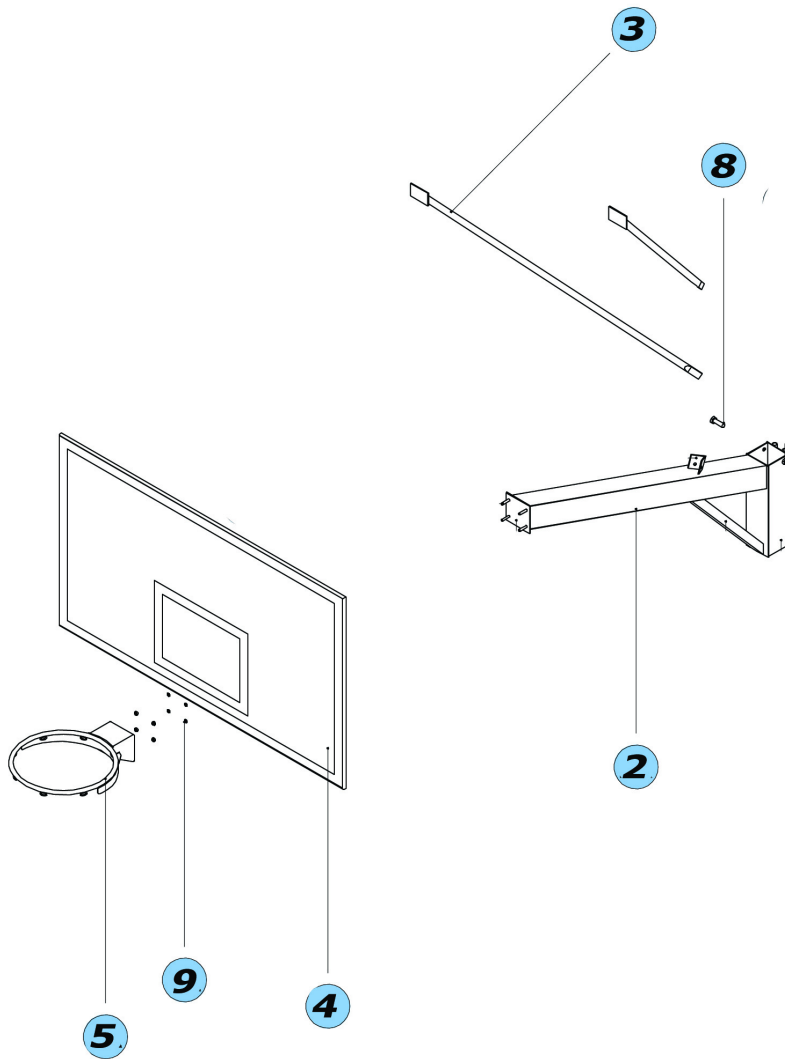
7	Locking mechanism clamp screw M16x45	1
8	M16x25 screw	2
9	Self-locking nut M10	8
10	M10x25 screw	2
11	M10x35 mushroom head screw	2
Height adjustment mechanism code 10 021 – optional		
12	Mechanism screw	1
13	Mechanism guide	1
14	Locking rod	2
15	M16x125 screw	2
16	Self-locking nut M16	2

4. Basketball set assembly

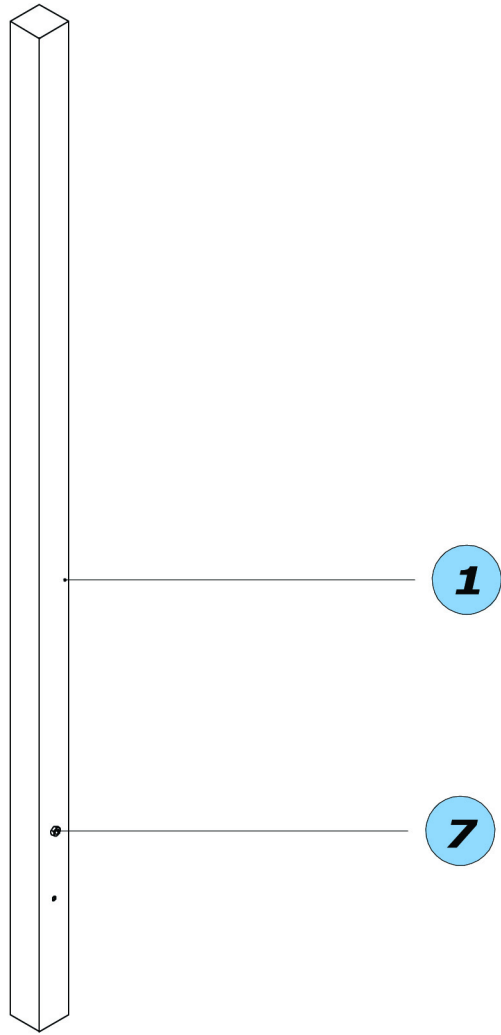
- a) Make a foundation in the ground and embed the sleeves (6).
- b) The top edge of the sleeve should coincide with the zero level of the pitch.
- c) The recommended foundation size is min. 500x500 mm, min. 1000 mm depth considering the local ground frost zone, with concrete grade C20/25.



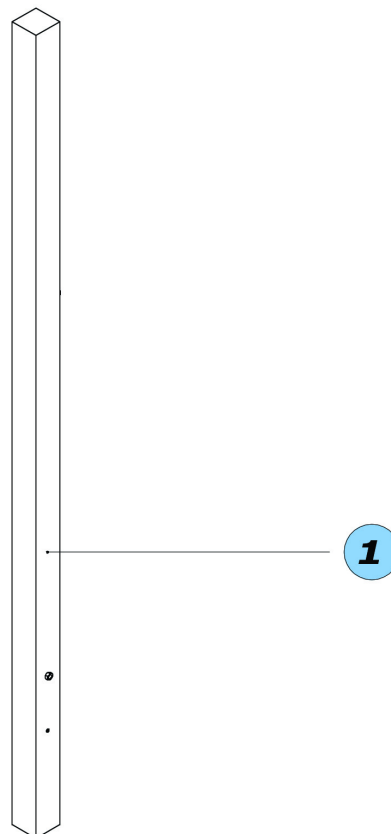
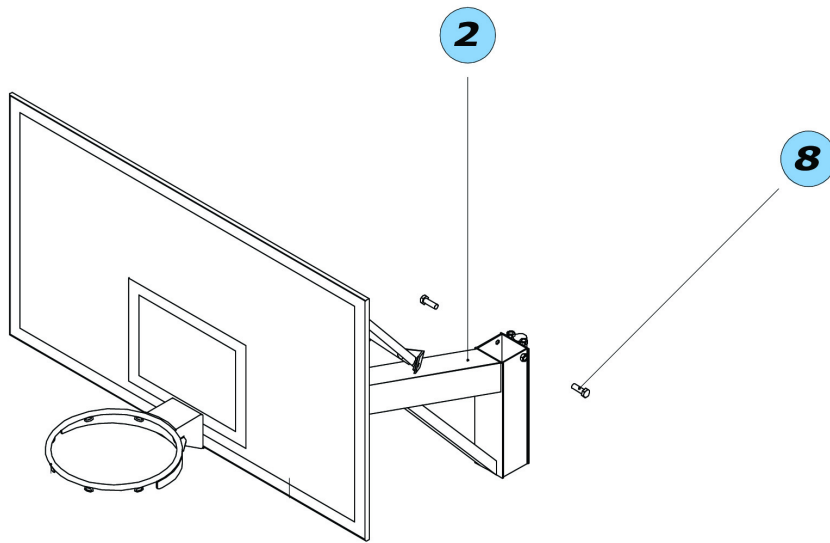
- d) The stand in the sleeve can be installed and operated after the concrete has dried completely /min. 5-7 days/.
- e) Mount the backboards (4) and the chain net hoop on the extension arm (2) by sliding on the M10 pins at the front and fasten with M10 self-locking nuts (9).



- f) Screw the strut (3) to the backboard with M10x35 screws (11) and the extension arm with M10x25 screws (10) and M10 nuts (9)
- g) Slide the stand post (1) into the concreted sleeve and tighten the M16x45 screw (7) of the locking mechanism that stabilises the post in the sleeve (6).



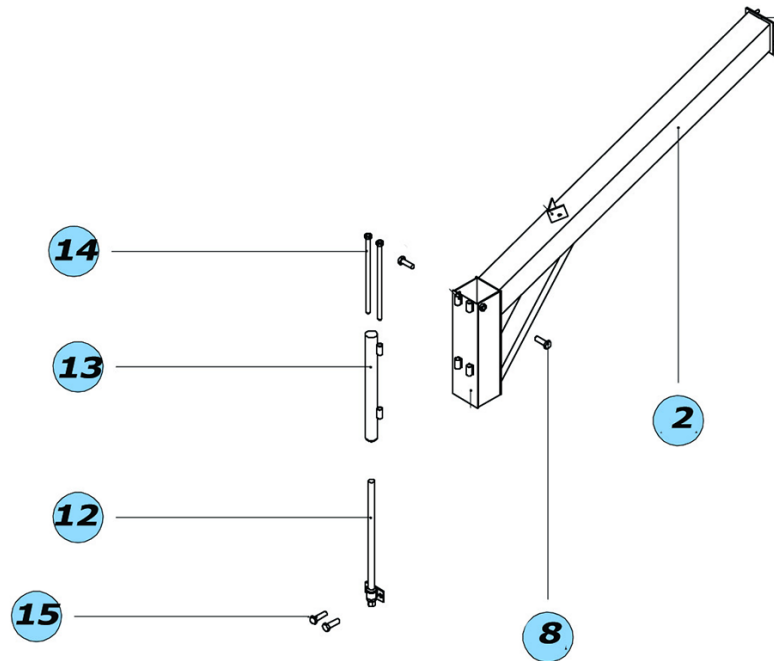
h) Slide the pre-assembled backboard and extension arm onto the post, set them at the desired height and lock them onto the post using M16x25 screws (8).

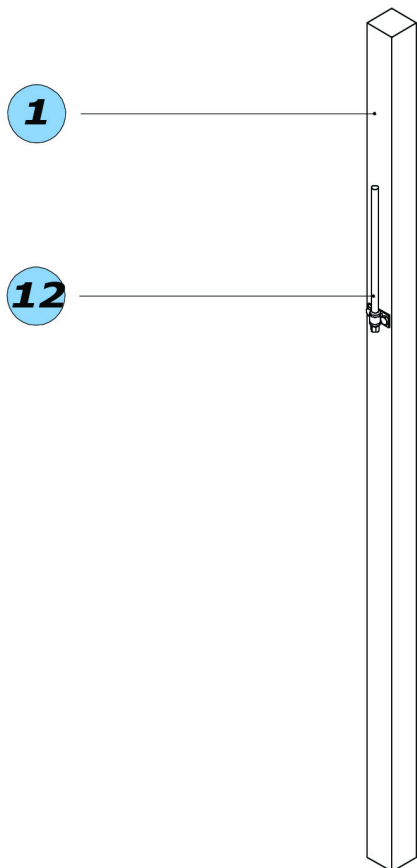
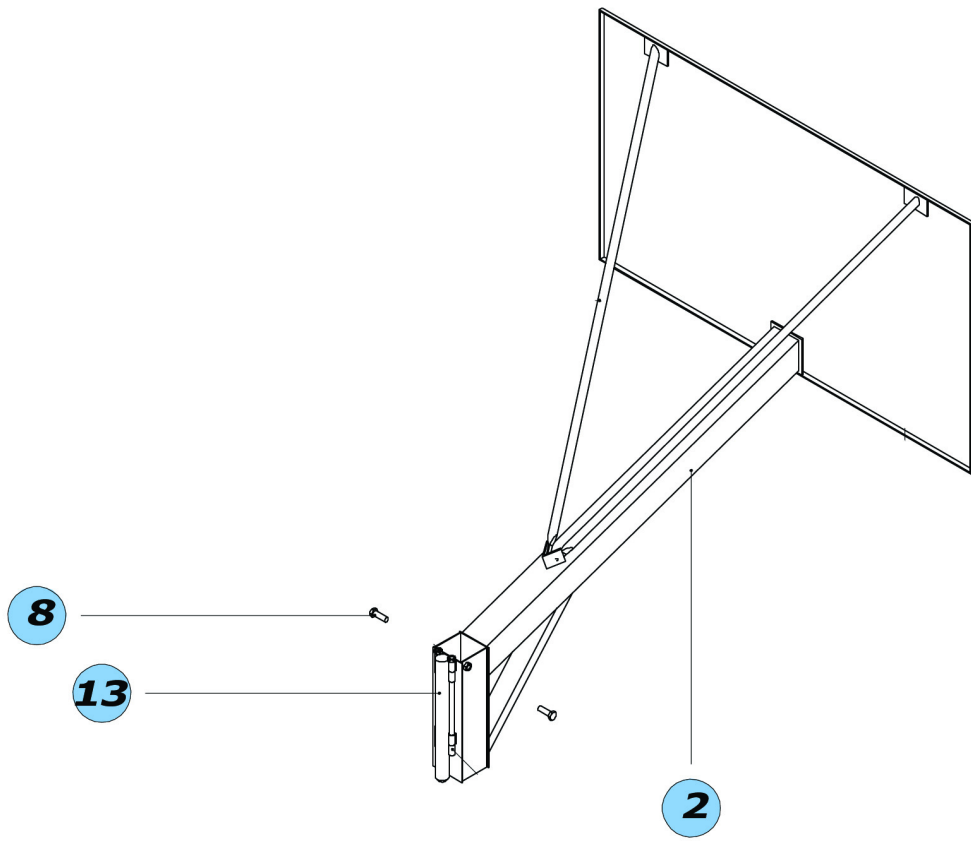


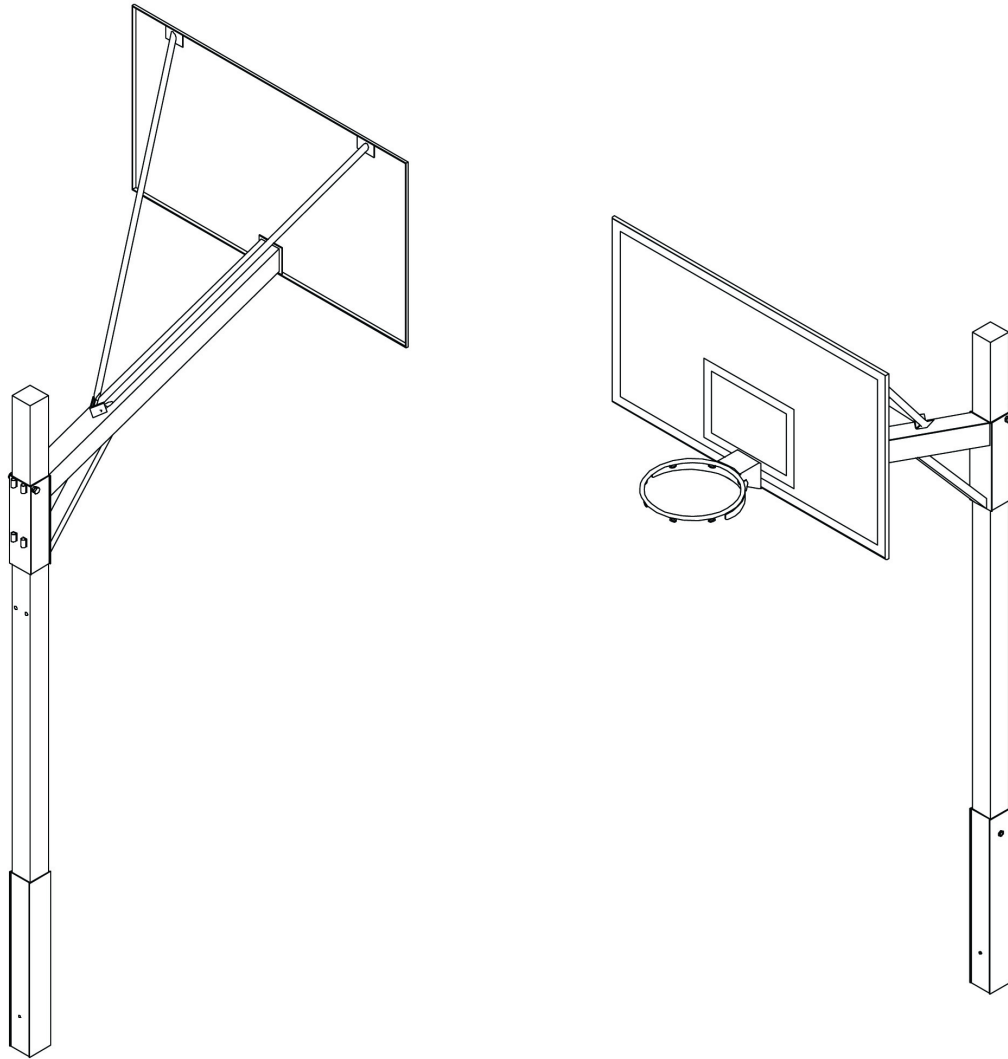
i) Adjust the position of the strut so that the backboard is vertical.

5. Height adjustment mechanism installation

- a) Fit the mechanism guides (13) with the locking rods (14) by sliding them into the bushings at the rear of the extension arm (2).
- b) Screw the mechanism screw (12) to the post (1) using M16x125 screws (15) and M16 nuts (16).
- c) Loosen the M16x25 screws locking the extension arm (8).
- d) By turning the mechanism screw (12), insert it into the guide (13).







Note: installation may only be carried out by adults authorised to work at heights using a scaffold.

6. Use of the set

- a) The set is designed for playing basketball on outdoor courts.
- b) The fastenings of all individual components must be checked before use and then periodically (max. every 3 months).
- c) The height of the backboard is adjusted by loosening the M16X25 screws (8) and turning the mechanism screw (13) at the rear of the extension arm in the appropriate direction until the desired height is reached and then tightening the M16x25 screws (8).

7. Transport, storage, maintenance, disposal

- a) Basketball structures are supplied by the manufacturer on a pallet with the weight depending on the structure's extension arm.
- b) The product is intended for permanent installation – not for storage.

- c) To be wiped down with a cloth dampened with a mild cleaning agent by persons with the appropriate qualifications for working at heights.
- d) Depending on local requirements, the product may be intended for recycling or energy recovery after use.
- e) The product and its accessories must be properly disposed of at an appropriate local waste disposal/recycling facility.
- f) Correct disposal will help to prevent potential negative consequences for the environment and human health and promote the recycling of materials and resources.

8. Warranty

- a) Outdoor basketball structures are covered with the producer's 24-month warranty.
- b) The warranty does not cover damage caused by improper use e.g. cutting, slashing, burning, etc.
- c) The warranty does not cover any misuse of the basketball structure.

Note:

Adjustment may only be carried out by adults (minimum 2 persons) who are authorised to work at heights, carrying out this activity from the scaffolding.

Do not climb or hang onto any part of the set.

Do not unscrew the locking mechanism during operation.