



SPORT-TRANSFER sp. z o.o.
Jawornik 564
32-400 Myślenice
Tel. + 48 12 649 14 83
e-mail: biuro@sport-transfer.com.pl

INSTRUCTIONS FOR ASSEMBLY AND USE OF SPORTS EQUIPMENT

Product: **TILT BASKETBALL HOOP FLEXI**
Code: 10 000

The basketball hoop meets the requirements of EN 913:2019-3 and EN 1270:2006 "Pitch equipment – Basketball equipment. Functional and Safety Requirements, Research Methods."

1. Product description

10 000 – TYPE: TILT

A unique design that allows the hoop to flex in all planes. The hoop immediately returns to the starting position after flexion. Tilt mechanism fully encapsulated. Secure fixing of the net with a rod in the sleeves. Universal fixing for different types of backboards. Powder-coated. Used in indoor facilities (gymnasiums, sports halls). Compliant with FIBA regulations.

2. Purpose

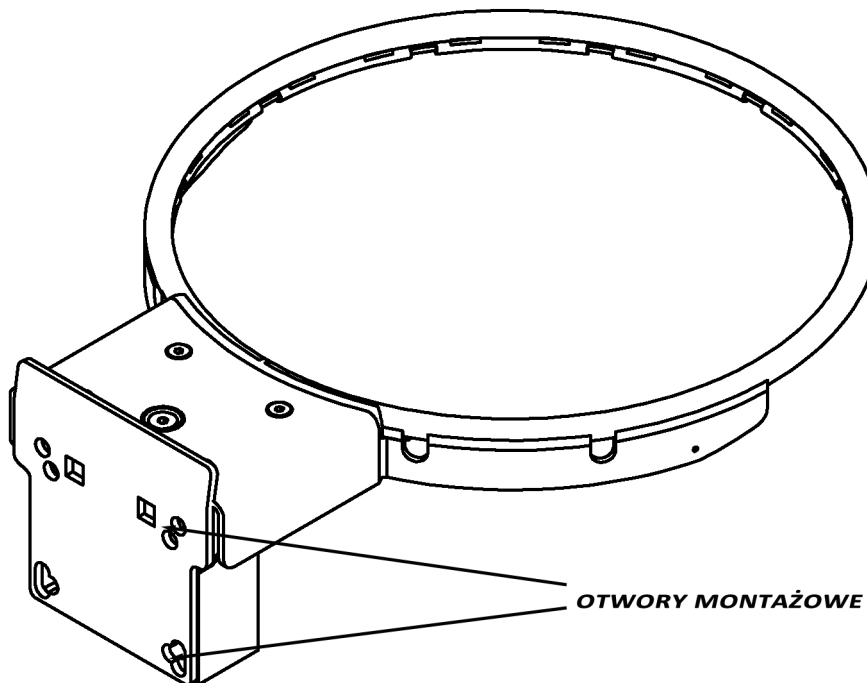
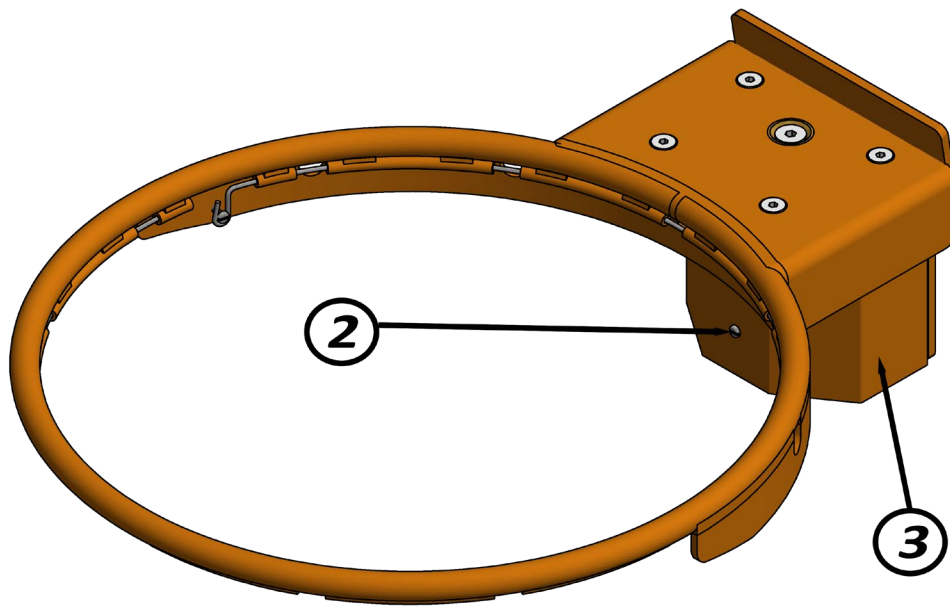
The hoop is designed for indoor basketball.

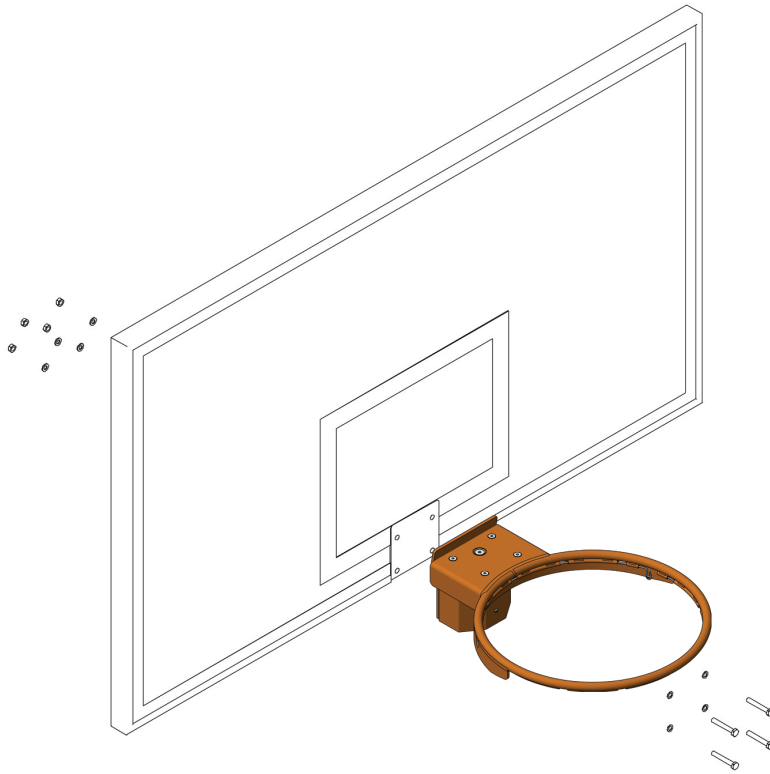
3. Components

Number	Name of part / component	Quantity per product
1	Basketball hoop	1
2	Hexagon socket head cap screw M4x6	2
3	Hoop casing	1

4. Basketball hoop installation

- a) Loosen the Allen screws (2) on the hoop casing (3).
- b) Pull off the hoop casing
- c) Pass M10 screws and washers through the holes under the casing (fixing screws not included).
- d) Set the hoop on the basketball backboard at the mounting point and screw in place using M10 nuts.
- e) The top edge of the rim should be positioned at the height of 2600 mm /children/ or 3050 mm /adults/ above the pavement.





Note: installation may only be carried out by adults authorised to work at heights using a scaffold.

5. Using the hoop

- a) The hoop is designed for indoor basketball.
- b) Periodically, i.e. at least twice a month, check the components that attach the hoop to the backboard.

6. Transport, storage, maintenance, disposal

- a) The basketball hoop is supplied by the manufacturer in a cardboard box measuring 63x50x23 cm and weighing up to 13.5 kg.
- b) The product is intended for permanent installation – not for storage.
- c) To be wiped down with a cloth dampened with a mild cleaning agent by persons with the appropriate qualifications for working at heights.
- d) Depending on local requirements, the product may be intended for recycling or energy recovery after use.
- e) The product and its accessories must be properly disposed of at an appropriate local waste disposal/recycling facility.
- f) Correct disposal will help to prevent potential negative consequences for the environment and human health and promote the recycling of materials and resources.

7. Warranty

- a) Basketball hoops come with a 24-month manufacturer's guarantee.
- b) The warranty does not cover damage caused by improper use e.g. cutting, slashing, burning, etc.
- c) The warranty does not cover the misuse of the basketball hoop.