



**SPORT TRANSFER**  
sports equipment

SPORT-TRANSFER sp. z o.o.  
Jawornik 564  
32-400 Myślenice  
Tel. +48 12 649 14 83  
e-mail: biuro@sport-transfer.com.pl

## INSTRUCTIONS FOR ASSEMBLY AND USE OF SPORTS EQUIPMENT

Product:

**BASKETBALL BACKBOARD 105X180 CM – EPOXY ON A FRAME**

Code: 10 012

**BASKETBALL BACKBOARD 90X120 CM – EPOXY ON A FRAME**

Code: 10 013

The basketball backboard meets the conditions of PN-EN 913-2019-3 and PN-EN 1270:2006 "Pitch Equipment – Basketball Equipment. Functional and Safety Requirements, Research Methods."

### 1. Product description

#### 10 012

Made of 17 mm thick epoxy fibre mounted on a powder-coated or hot-dip galvanised steel frame. Used in indoor (gymnasiums, sports halls) and outdoor facilities (sports fields).

#### 10 013

Made of 17 mm thick epoxy fibre mounted on a powder-coated or hot-dip galvanised steel frame. Used in indoor (gymnasiums, sports halls) and outdoor facilities (sports fields).

### 2. Purpose

The backboard is designed for basketball in sports halls and outdoor facilities.

### 3. Components

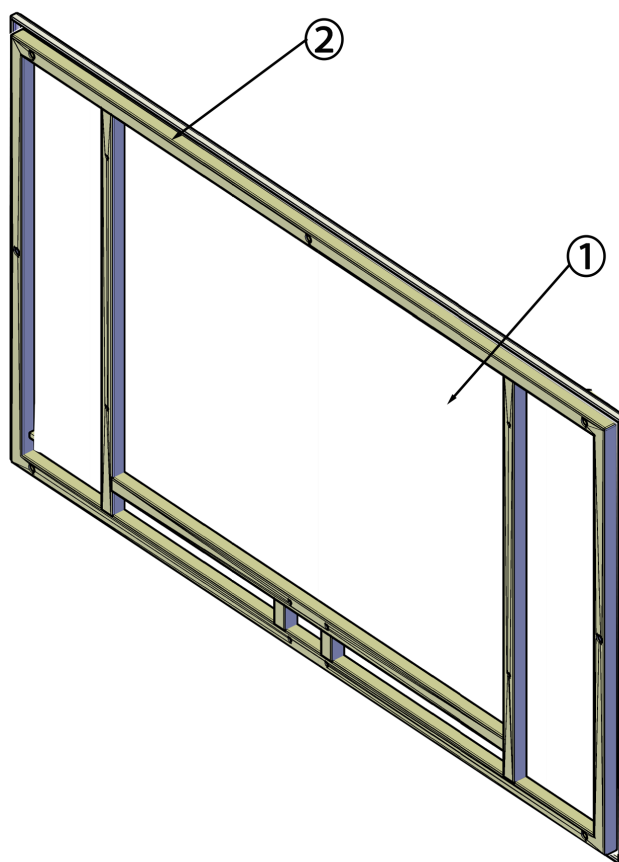
Number	Name of part / component	Quantity per product
1	Epoxy basketball backboard	1
2	Backboard frame	1

### 4. Installation of the basketball backboard

- a) Install the backboard on a properly fixed basketball structure.
- b) Attach the backboard with the frame directly to the structure:

– 105x180 cm with four M10 screws of a length adapted to the construction of the backboard and with a hardness grade of min. 8.8, screwed into threads located in the frame of the backboard, spacing 600x1,200 mm.

– 90x120 cm with four M10 screws of a length adapted to the construction of the backboard and with the hardness grade of min. 8.8, screwed into threads located in the frame of the backboard, spacing 600x1,200 mm.



**Note:** installation may only be carried out by adults authorised to work at heights using a scaffold.

## **5. Using the backboards**

- a) The basketball backboard is designed for use in sports halls and outdoor facilities.
- b) Check the fasteners of the backboard and the condition of the board material periodically, i.e. at least once a month.
- c) Do not subject backboards to mechanical damage /such as cutting, notching, burning etc./.
- d) If cracks are found, stop using the backboard and contact the manufacturer immediately

## **6. Transport, storage, maintenance, disposal**

- a) The basketball backboard is supplied by the manufacturer in a cardboard box with the following dimensions: 185x110x6 cm, weight 44 kg. – article No. 10 012, 125x95x8 cm, weight 22.5 kg. – article No. 10 013
- b) The product is intended for permanent installation – not for storage.
- c) To be wiped down with a cloth dampened with a mild cleaning agent by persons with the appropriate qualifications for working at heights.
- d) Depending on local requirements, the product may be intended for recycling or energy recovery after use.
- e) The product and its accessories must be properly disposed of at an appropriate local waste disposal/recycling facility.
- f) Correct disposal will help to prevent potential negative consequences for the environment and human health and promote the recycling of materials and resources.

## **7. Warranty**

- a) The basketball backboard comes with a 24-month manufacturer's warranty.
- b) The warranty does not cover damage caused by improper use e.g. cutting, slashing, burning, etc.
- c) The warranty does not cover the use of the basketball backboards contrary to their intended use.