



SPORT-TRANSFER sp. z o.o.
Jawornik 564
32-400 Myślenice
Tel. + 48 12 649 14 83
e-mail: biuro@sport-transfer.com.pl

INSTRUCTIONS FOR ASSEMBLY AND USE OF SPORTS EQUIPMENT

Product:

PROFESSIONAL TILT BASKETBALL HOOP

Code: 10 005

TOURNAMENT TILT BASKETBALL HOOP

Code: 10 006

The basketball hoop meets the requirements of EN 913:2019-3 and EN 1270:2006 "Pitch equipment – Basketball equipment. Functional and Safety Requirements, Research Methods."

1. Product description

10 005 – TYPE: TILT

The hoop has a built-in spring-loaded tilt mechanism. 12 net mounting brackets. Powder-coated. Used in indoor facilities (gymnasiums, sports halls). Compliant with FIBA regulations.

10 006 – TYPE: TILT

It has a built-in tilting mechanism with a gas actuator system. Secure fixing of the net with a rod in the sleeves. Powder-coated. Used in indoor facilities (gymnasiums, sports halls). Compliant with FIBA regulations.

2. Purpose

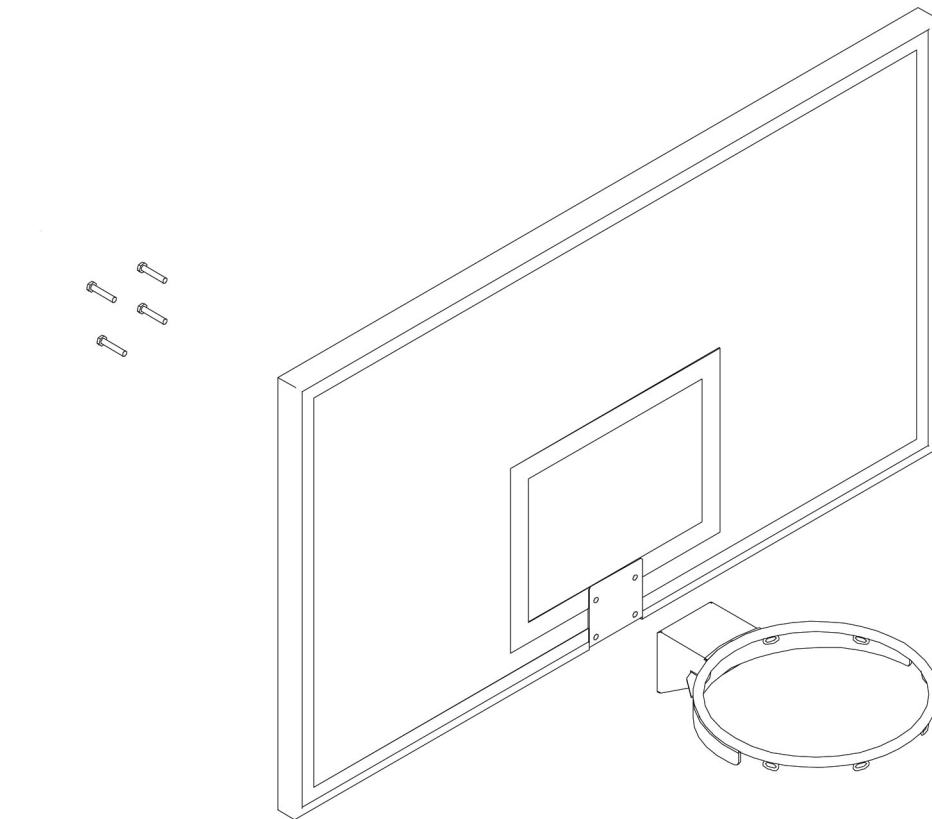
The hoop is designed for indoor and outdoor basketball.

3. Components

Number	Name of part / component	Quantity per product
1	Basketball hoop	1

4. Basketball hoop installation

- a) Pass the M10 screws and washers through the holes in the board.
- b) Set the hoop on the basketball backboard at the mounting point and screw in place using M10 screws.
- c) The top edge of the rim should be positioned at the height of 2600 mm /children/ or 3050 mm /adults/ above the pavement.



Note: installation may only be carried out by adults authorised to work at heights using a scaffold.

5. Using the hoop

- a) The hoop is designed for indoor and outdoor basketball.
- b) Periodically, i.e. at least twice a month, check the components that attach the hoop to the backboard.

6. Transport, storage, maintenance, disposal

- a) The basketball hoop is supplied by the manufacturer in a cardboard box measuring 70x53x18 cm and weighing up to 6 kg.
- b) The product is intended for permanent installation – not for storage.
- c) To be wiped down with a cloth dampened with a mild cleaning agent by persons with the appropriate qualifications for working at heights.

- d) Depending on local requirements, the product may be intended for recycling or energy recovery after use.
- e) The product and its accessories must be properly disposed of at an appropriate local waste disposal/recycling facility.
- f) Correct disposal will help to prevent potential negative consequences for the environment and human health and promote the recycling of materials and resources.

7. Warranty

- a) Basketball hoops come with a 24-month manufacturer's guarantee.
- b) The warranty does not cover damage caused by improper use e.g. cutting, slashing, burning, etc.
- c) The warranty does not cover the misuse of the basketball hoop.