



SPORT-TRANSFER sp. z o.o.
Jawornik 564
32-400 Myślenice
Tel. +48 12 649 14 83
e-mail: biuro@sport-transfer.com.pl

INSTRUCTIONS FOR ASSEMBLY AND USE OF SPORTS EQUIPMENT

Product: **FIXED STRUCTURE /MAX. LENGTH UP TO 1.2 M/**
Code: 10 020

The fixed basketball structure meets the requirements of EN 913:2019-3 and EN 1270:2006 "Pitch equipment – Basketball equipment. Functional and Safety Requirements, Research Methods."

1. Product description

10 020 – TYPE 4

Made of steel profiles, powder-coated. Attached to the walls and pillars of the facility. Designed for fixing all types of backboards at a distance of the front of the backboard from the wall of up to 120 cm.

2. Purpose

The basketball structure is used to fix different types of basketball backboards to walls or pillars in sports halls.

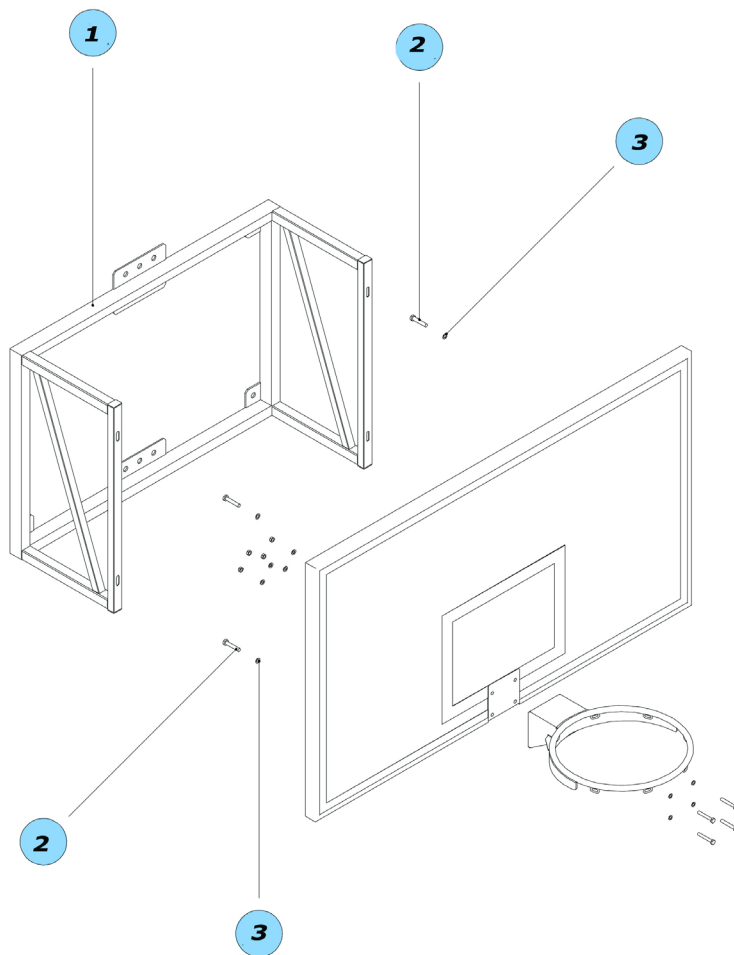
3. Components

Number	Name of part / component	Quantity per product
1	Structure frame	1
2	M10x45 screw	4
3	M10 extension washer	4
4	M10 self-locking nut (acrylic plate)	4

4. Basketball structure installation

The installation of the structure should be contracted out to a specialised company

- a) Fix the frame of the structure (1) to the wall in the sports hall at the appropriate height at 13 fixing points (the number of fixings may depend on the type of wall).
- b) It is recommended to choose appropriate elements fixing the structure to the wall depending on the wall construction.
- c) The action of a horizontal force of $F=900\text{ N}$ or a vertical force of $F=3200\text{ N}$ on the fixed frame of the backboard should not cause the loosening of fixings in the wall.
- d) Fix the backboard with M10x45 screws (2) washers (3) and nuts (4).



Note: installation may only be carried out by adults authorised to work at heights using a scaffold.

5. Use of the set

- a) The structure is designed for basketball only and may not be used for other purposes.
- b) Check the fastening of all individual structural components prior to use and then periodically (max. every 3 months).

6. Transport, storage, maintenance, disposal

- a) Fixed basketball structures are supplied by the manufacturer on a pallet with a weight depending on the length of the structure.
- b) The product is intended for permanent installation – not for storage.
- c) To be wiped down with a cloth dampened with a mild cleaning agent by persons with the appropriate qualifications for working at heights.
- d) Depending on local requirements, the product may be intended for recycling or energy recovery after use.
- e) The product and its accessories must be properly disposed of at an appropriate local waste disposal/recycling facility.
- f) Correct disposal will help to prevent potential negative consequences for the environment and human health and promote the recycling of materials and resources.

7. Warranty

- a) Fixed basketball structures are covered with the manufacturer's 24-month warranty.
- b) The warranty does not cover damage caused by improper use e.g. cutting, slashing, burning, etc.
- c) The warranty does not cover any misuse of the basketball structure.

NOTE:

Do not climb or hang on to any parts of the structure.